



PRODUCTS CATALOG



ABOUT US

ALFASEAL GROUP is a manufacturer of passive fire protection systems, with its headquarters and production plant located in Poland. Our solutions are designed to provide fire integrity and insulation for building structures at service penetrations and linear joints.

Under the INTUSEAL brand, our goal is to deliver high-quality fire and smoke containment products that ensure reliable performance in compliance with applicable legislation.

Our products stand out for their high technical performance, making them suitable for sealing a wide range of building service penetrations. In addition to certified products, we provide technical support delivered by a highly experienced team that has been active in the industry for nearly 20 years. We work closely with our customers to effectively resolve technical challenges.

Our understanding of relevant legislation and our ability to adapt products to specific requirements enable us to respond efficiently to market needs. With our in-house R&D laboratories, we continuously develop new formulations that provide effective barriers against the spread of fire and smoke in buildings, ultimately helping to protect lives.

All our products undergo rigorous fire testing in accordance with stringent European certification standards and are assessed for European Technical Assessment (ETA).



CONTENTS

- INTU FR WRAP L.....4
- INTU FR WRAP5
- INTU FR COLLAR (ST).....6
- INTU FR COLLAR L SLIM7
- INTU FR GRAPHITE.....8
- INTU FR MASTIC9
- INTU FR COAT A.....10
- INTU FR BOARD A11
- INTU FR COAT I12
- INTU FR UNICOAT P13
- INTU FR UNIBOARD14
- INTU FR FOAM 2K.....15
- INTU FR BRICK16
- INTU FR BANDAGE.....17
- INTU FR MORTAR.....18
- INTU FR DISC19
- INTU FR PUTTY PAD.....20
- INTU FR PUTTY CORD21
- INTU FR ROPE22
- ALFA FIREGUARD 3.....23
- INTU BUTTERFLY DAMPER KTB-O.....24
- INTU FR GRILLE DS.....26
- INTU ATP27
- INTU STRIP F/FC.....28

INTU FR WRAP L

Intumescent pipe wrap in roll



PRODUCT DESCRIPTION:

The intumescent pipe wrap roll **INTU FR WRAP L** is made of graphite-based material that swells during a fire, preventing the spread of fire, creating a barrier ensuring that the partition remains tight and insulation up to EI 240.

COMPLIANCE:

European Technical Assessment:
ETA-18/0593
 Declaration of Performance:
DoP 11/2019
 Certificate of Constancy of Performance:
1488-CPR-0722/W

APPLICATION:

The **INTU FR WRAP L** tape is used for fire-retardant protection of plastic, composite and multi-layer composite pipes passing through fire separation partitions, individually or in bundles, as well as flammable and non-flammable pipes in insulation.

Flexible wall: The wall must be 100 mm minimum thickness. Must have steel profile structure covered on both sides with minimum 2 layers of boards with thickness 12,5 mm.

Rigid wall: The wall must be 100 mm minimum thickness. Must have concrete, cellular concrete or masonry structure, with a minimum density 450 kg/m³.

Rigid floor: The floor must be 150 mm minimum thickness. Must have concrete, cellular concrete or masonry structure, with a minimum density 550 kg/m³.

AVAILABILITY:

Type	Delivery form	Pallet (pcs)
60 mm x 10 m	Box (1 pc)	150
60 mm x 10 m (self-adhesive)	Box (1 pc)	105
60 mm x 25 m	Box (1 pc)	150
60 mm x 25 m (self-adhesive)	Box (1 pc)	105
100 mm x 10 m	Box (1 pc)	72
100 mm x 10 m (self-adhesive)	Box (1 pc)	72
100 mm x 25 m	Box (1 pc)	72
100 mm x 25 m (self-adhesive)	Box (1 pc)	72



INTU FR WRAP

Intumescent pipe wrap



PRODUCT DESCRIPTION:

The firestop wrap **INTU FR WRAP** is made of a graphite-based material which swells during a fire, preventing the spread of fire and creating a barrier that ensures the partition maintains tightness and insulation up to EI 240.

COMPLIANCE:

European Technical Assessment:
ETA-18/0593
 Declaration of Performance:
DoP 1/2019
 Certificate of Constancy of Performance:
1488-CPR-0722/W

APPLICATION:

The **INTU FR WRAP** band is used for fire protection of plastic, composite and multilayer composite pipes passing through fire separation partitions individually or in bundles, as well as flammable and non-flammable pipes in insulation.

Flexible wall: The wall must be 100 mm minimum thickness. Must have steel profile structure covered on both sides with minimum 2 layers of boards with thickness 12,5 mm.

Rigid wall: The wall must be 100 mm minimum thickness. Must have concrete, cellular concrete or masonry structure, with a minimum density 450 kg/m³.

Rigid floor: The floor must be 150 mm minimum thickness. Must have concrete, cellular concrete or masonry structure, with a minimum density 550 kg/m³.

AVAILABILITY:

Type	Delivery form	Pallet (pcs)
32mm	Box (50 pcs)	N/A
40mm	Box (50 pcs)	N/A
55mm	Box (50 pcs)	N/A
63mm	Box (50 pcs)	N/A
75mm	Box (50 pcs)	N/A
82mm	Box (50 pcs)	N/A
110mm	Box (50 pcs)	N/A
125mm	Box (40 pcs)	N/A
160mm	Box (20 pcs)	N/A
200mm	Box (20 pcs)	N/A



INTU FR COLLAR (ST)

Intumescent pipe collar



PRODUCT DESCRIPTION:

The firestop collar **INTU FR COLLAR (ST)** is composed of a flexible insert made of graphite-based material and an external casing made of 1,0 mm steel sheet protected against corrosion by a red paint coating. The steel collar casing is equipped with a lock used for strapping the ends and stabilizing it on the pipe, as well as mounting brackets fixing the collar to the partition. The collars ensure fire resistance class up to max EI 240.

COMPLIANCE:

European Technical Assessment:
ETA 19/0844
 Declaration of Performance:
DoP 2/2019
 Certificate of Constancy of Performance:
1488-CPR-0825/W

APPLICATION:

The **INTU FR COLLAR (ST)** is used for fire protection of penetrations with plastic pipes (PVC, PP, PE, HDPE, PE-RT, PE-X, PP-R/AI/PP-R, PP-R/PP-R-GF/PP-R, PE-RT/AI/PE-RT, PE-X/AI/PE-X) and plastic pipe bundles running through fire partitions.

Flexible wall: The wall must be minimum thickness 100 mm. Must have frame structure of steel or wooden sections covered on both sides with minimum 2 layers of panels with minimum thickness 12,5 mm.

Rigid wall: The wall must be minimum thickness 100 mm. Must be made of concrete, reinforced concrete, concrete blocks, cellular concrete, ceramic brick (solid, hollow or lattice) or silicate brick (solid or hollow) with min. density 600 kg/m³.

Rigid floor: The floor must be minimum thickness 150 mm. Must be made of concrete, reinforced concrete or cellular concrete with a minimum density 1700 kg/m³.

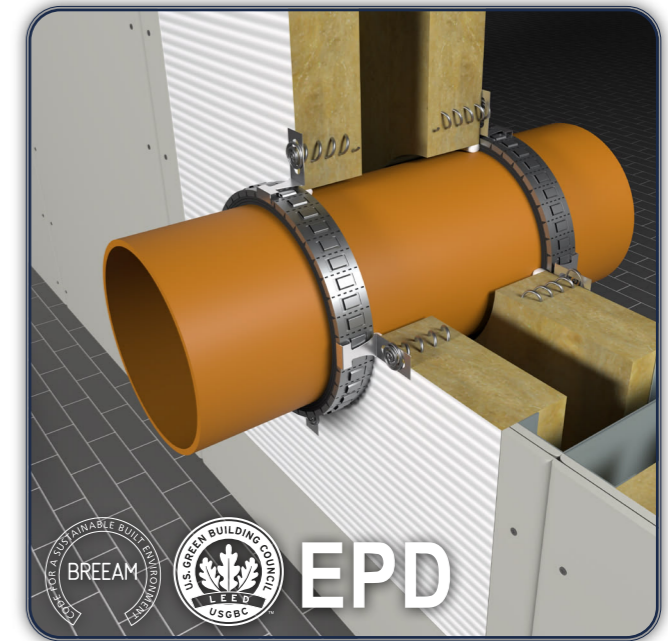
AVAILABILITY:

Type	Delivery form	Pallet (pcs)
32 mm	Box (50 pcs)	N/A
40 mm	Box (50 pcs)	N/A
55 mm	Box (30 pcs)	N/A
63 mm	Box (30 pcs)	N/A
75 mm	Box (30 pcs)	N/A
82 mm	Box (30 pcs)	N/A
90 mm	Box (30 pcs)	N/A
110 mm	Box (20 pcs)	N/A
125 mm	Box (15 pcs)	N/A
160 mm	Box (10 pcs)	N/A
200 mm	Box (10 pcs)	N/A
250 mm	Box (1 pc)	N/A
315 mm	Box (1 pc)	N/A



INTU FR COLLAR L SLIM

Intumescent pipe collar roll



PRODUCT DESCRIPTION:

INTU FR COLLAR L SLIM includes two or more layers of an intumescent, graphite based liner with a nominal thickness of 2 mm and width of 30 mm, inserted into a steel housing made of stainless steel sheet with a thickness of 0,5 mm. The housing of **INTU FR COLLAR L SLIM** is equipped with fixing elements, through which the collar is fixed to the separating element. The number of elements depends on the size of the collar.

COMPLIANCE:

European Technical Assessment:
ETA 24/0497
 Declaration of Performance:
DoP 2/2024
 Certificate of Constancy of Performance:
1488-CPR-0722/W

APPLICATION:

INTU FR COLLAR L SLIM is universal collar pipe closure devices used to form penetration seals where metal and combustible pipes, cables and conduits, single or in bundles, penetrate walls and floors.

Flexible wall: The wall must have a minimum thickness 100 mm, must comprise timber or steel studs lined on both faces with minimum two layers (with overall board layer thickness on one side equal to or greater than 25 mm) of gypsum plasterboards.

Rigid wall: The wall must have a minimum thickness 100 mm, must comprise concrete or masonry separating elements, with a minimum density 450 kg/m³.

Rigid floor: The floor must have a minimum thickness 100 mm, must comprise aerated or reinforced concrete, concrete, with a minimum density 550 kg/m³.

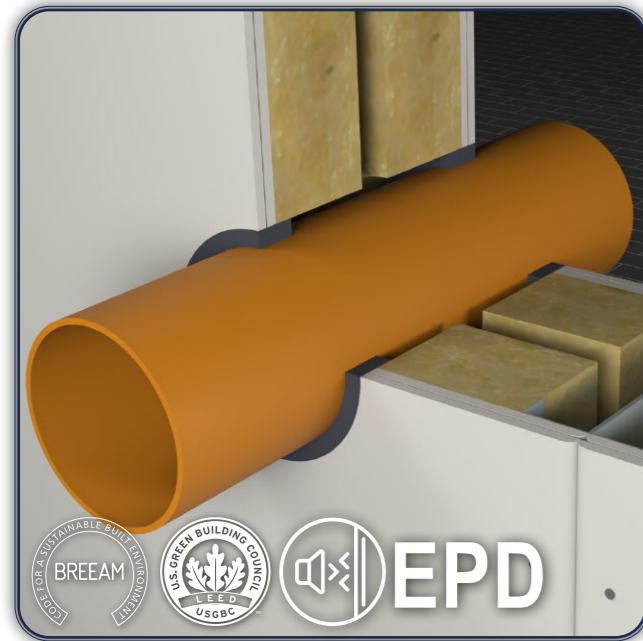
AVAILABILITY:

Type	Delivery form	Pallet (pcs)
Contents of set: Steel casing 2.52m, Intumescent filling 12m, Short fixing CLIP S – 20 pcs.	1 set	375
Short fastening clamp "S"	1 set – 10 pcs	N/A
Long "L" mounting bracket	1 set – 10 pcs	N/A



INTU FR GRAPHITE

Intumescent graphite sealant



PRODUCT DESCRIPTION:

The **INTU FR GRAPHITE** is graphite fire-retardant mass swells under the influence of fire, closing the opening around the installation and any gaps, creating a barrier that ensures the partition remains tight and insulating up to EI 120.

COMPLIANCE:

European Technical Assessment:
ETA 24/0152
 Declaration of Performance:
DoP 3/2024
 Certificate of Constancy of Performance:
1488-CPR-1109/W

APPLICATION:

The intumescent graphite sealant **INTU FR GRAPHITE** is intended for fire protection of penetration seals, especially:

- combustible pipes diameter of $\varnothing \leq 110\text{mm}$
- bundles of copper pipes for air conditioning
- single cables and cable bundles
- cables in casting pipes and AROT type pipes

Flexible wall: The wall must be minimum 100 mm thickness with a frame structure of steel or wooden sections covered on both sides with a minimum of 2 layers of panels with a thickness of min 12,5 mm.

Rigid wall: The wall must be minimum 100 mm thickness, made of concrete, reinforced concrete, concrete blocks, cellular concrete, ceramic brick (solid, hollow or lattice) or silicate brick (solid or hollow) with a density of min. 450 kg/m³.

Rigid floor: The floor must be at least 150 mm thick made of concrete, reinforced concrete or cellular concrete with a minimum density of 550 kg/m³.

AVAILABILITY:

Type	Delivery form	Pallet (pcs)
310 ml cartridge	Box (15 pcs)	1260
5l pail	1 pc	60



PRODUCT DESCRIPTION:

The **INTU FR MASTIC** is an acrylic mastic designed to prevent spreading of fire, smoke and gases through openings in fire rated walls and floors. **INTU FR MASTIC** expands when it is subjected to fire and close openings around pipes, cables and gaps, expansion joints by creating tight barrier for fire, smoke and gas. Mass effective fills the gaps around the installation, ensuring the integrity and insulation of fire resistance class EI 120 and EI 240.

COMPLIANCE:

European Technical Assessment:
ETA 19/0038
 Declaration of Performance:
DoP 8/2019
 Certificate of Constancy of Performance:
1488-CPR-0756/W

APPLICATION:

The **INTU FR MASTIC** is designed for fire protection of penetrations with:

- non-flammable pipes in floors and walls
- single electric cables / bundle of cables in floors and walls
- installation / sealing of intumescent ventilation grilles **INTU FR GRILLE**



INTU FR MASTIC

Intumescent acrylic mastic

Rigid wall: The wall must be 150 mm minimum thickness. Must have concrete, cellular concrete or masonry structure, with a minimum density 600kg/m³.

Rigid floor: The floor must be 150 mm minimum thickness. Must have concrete, cellular concrete or masonry structure, with a minimum density 1700 kg/m³.

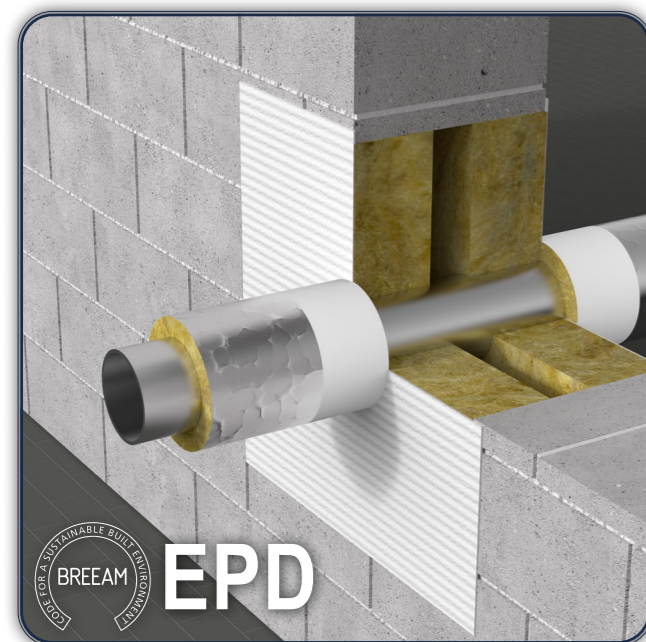
AVAILABILITY:

Type	Delivery form	Pallet (pcs)
310 ml cartridge	Box (15 pcs)	1260
600 ml plastic bag	Box (20 pcs)	720
5l pail	1 pc	60



INTU FR COAT A

Fire rated ablative coat



PRODUCT DESCRIPTION:

The firestop ablative paint **INTU FR COAT A** is a one-component product designed for sealing fire protection penetrations and expansion joints with fire resistance class up to EI 240. Under fire conditions and the influence of high temperature, endothermic reactions take place in the product. The paint absorbs heat to a large extent, delaying the impact of fire on structural elements.

COMPLIANCE:

European Technical Assessment:
ETA 19/0038 & ETA 19/0037
 Declaration of Performance:
DoP 5/2019 & DoP 7/2024
 Certificate of Constancy of Performance:
1488-CPR-0756/W & 1488-CPR-0763/W

APPLICATION:

The fire rated ablative coat **INTU FR COAT A** is designed for fire protection of: penetration seals with single or group of non-flammable pipes in floors or walls, expansion joints in floors or walls, electric cables in walls (combined with paint **INTU FR COAT I**).

Flexible wall: The wall must be min. thickness 125 mm. Must have a steel profile structure covered on both sides with minimum 2 layers of boards with minimum thickness 12,5 mm.

Rigid wall: The wall must be minimum thickness 150 mm. Must have concrete, cellular concrete or masonry structure, with a minimum density 600 kg/m³.

Rigid floor: The floor must be minimum thickness 150 mm. Must have concrete, cellular concrete or masonry structure, with a minimum density 1700 kg/m³.

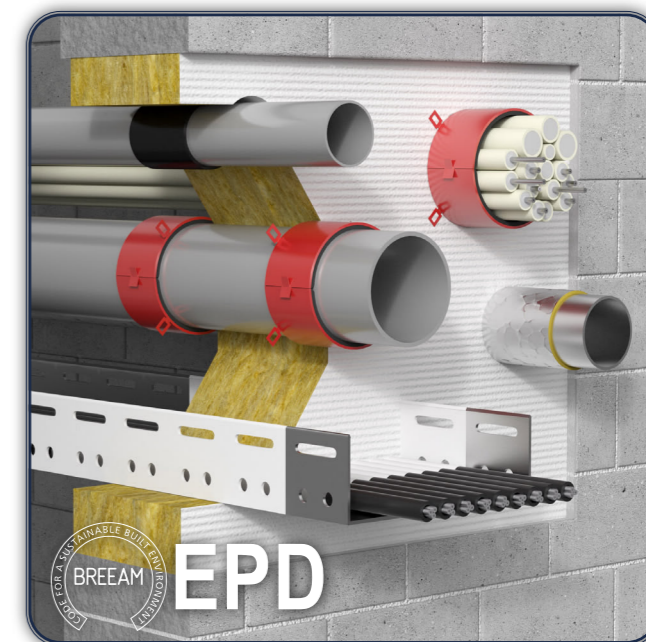
AVAILABILITY:

Type	Delivery form	Pallet (pcs)
6 kg pail	1 pc	70/84
12.5 kg pail	1 pc	40



INTU FR BOARD A

Fire rated ablative board



PRODUCT DESCRIPTION:

INTU FR BOARD A is composed of a mineral wool board with thickness 60 mm, covered on one side with ablative paint **INTU FR COAT A**. The product set is designed for sealing service penetrations and expansion joints up to EI 240. In the fire conditions, under the influence of high temperature, endothermic reactions take place in the product. The paint absorbs heat, significantly delaying the impact of fire on structural components.

COMPLIANCE:

European Technical Assessment:
ETA 19/0038 & ETA 19/0037
 Declaration of Performance:
DoP 5/2019 & DoP 7/2024
 Certificate of Constancy of Performance:
1488-CPR-0756/W & 1488-CPR-0763/W

APPLICATION:

The fire rated ablative board **INTU FR BOARD A** is used for: fire protection of penetrations with single or group of non-flammable pipes in floors or walls, protection of expansion joints in floors or walls, fire protection of electric cables combined with intumescent paint **INTU FR COAT I**.

Flexible wall: The wall must be min. thickness 125 mm. Must have a steel profile structure covered on both sides with minimum 2 layers of boards with minimum thickness 12,5 mm.

Rigid wall: The wall must be minimum thickness 150 mm. Must have concrete, cellular concrete or masonry structure, with a minimum density 600 kg/m³.

Rigid floor: The floor must be minimum thickness 150 mm. Must have concrete, cellular concrete or masonry structure, with a minimum density 1700 kg/m³.

AVAILABILITY:

Type	Delivery form	Pallet (pcs)
Board 1200 x 600 x 60 mm	1 pc / pallet	32/64



INTU FR COAT I

Fire rated intumescent coat



PRODUCT DESCRIPTION:

The **INTU FR COAT I** is a one-component intumescent paint designed for sealing fire protection penetrations with non-flammable pipes and electric cables. The coating made with this paint swells under the influence of temperature, creating a protective layer on the protected surface. The paint protects the system elements in penetrations up to fire resistance class of EI 240.

COMPLIANCE:

European Technical Assessment:
ETA 19/0038
 Declaration of Performance:
DoP 7/2019
 Certificate of Constancy of Performance:
1488-CPR-0756/W

APPLICATION:

The **INTU FR COAT I** is intended for the protection of non-flammable pipes without insulation, electric cables, cable in trays or ladders in fire partition floors and walls.

Flexible wall: The wall must be minimum thickness 125 mm. Must have a steel profile structure covered on both sides with minimum 2 layers of boards with minimum thickness 12,5 mm.

Rigid wall: The wall must be minimum thickness 150 mm. Must have concrete, cellular concrete or masonry structure, with a minimum density 600 kg/m³.

Rigid floor: The floor must be minimum thickness 150 mm. Must have concrete, cellular concrete or masonry structure, with a minimum density 1700 kg/m³.

AVAILABILITY:

Type	Delivery form	Pallet (pcs)
6 kg pail	1 pc	70/84
12.5 kg pail	1 pc	40



INTU FR UNICOAT P

Fire rated coating



PRODUCT DESCRIPTION:

The intended use of ablative paint **INTU FR UNICOAT P** is to reinstate the fire resistance performance of flexible wall, rigid wall or rigid floor constructions, where they are penetrated by services: large penetration of cables or single and multiple penetration of non-combustible pipes. The **INTU FR UNICOAT P** paint should be applied at the recommended length and with the required dry layer thickness.

COMPLIANCE:

European Technical Assessment:
ETA 24/1047
 Declaration of Performance:
DoP 6/2024
 Certificate of Constancy of Performance:
1488-CPR-1149/W

APPLICATION:

INTU FR UNICOAT P is an ablative paint used to form penetration seals where metal and combustible pipes and cables, single or in bundles, cable ladders and cable trays, penetrate walls and floors.

Flexible wall: The wall must have a minimum thickness 100 mm, must comprise timber or steel studs lined on both faces with minimum two layers (with overall board layer thickness on one side equal to or greater than 25 mm) of gypsum plasterboards.

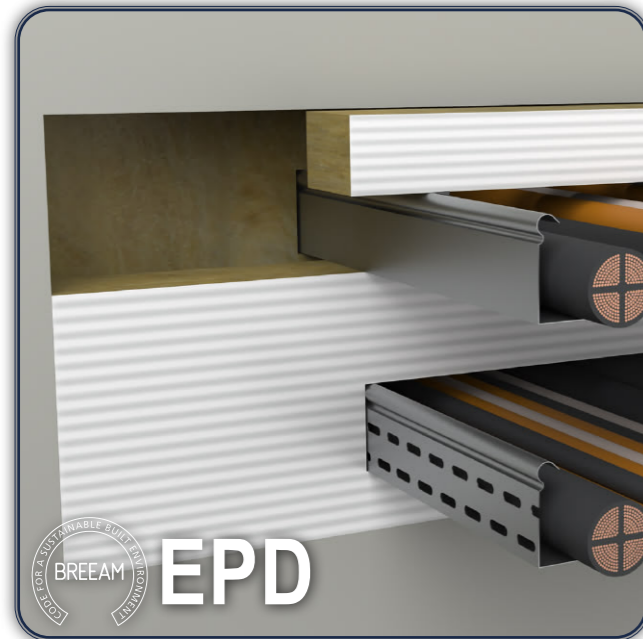
Rigid wall: The wall must have a minimum thickness 100 mm, must comprise concrete or masonry separating elements, with a minimum density 450 kg/m³.

Rigid floor: The floor must have a minimum thickness 150 mm, must comprise aerated or reinforced concrete, concrete, with a minimum density 550 kg/m³.

AVAILABILITY:

Type	Delivery form	Pallet (pcs)
6 kg pail	1 pc	70/84
12.5 kg pail	1 pc	40





PRODUCT DESCRIPTION:

The intended use of **INTU FR UNICOAT P**, **INTU FR UNIBOARD 1S** and **INTU FR UNIBOARD 2S** is to reinstate the fire resistance performance of flexible wall, rigid wall or rigid floor constructions, where they are penetrated by services: large penetration of cables or multiple penetration of pipes. **INTU FR UNIBOARD** is mineral wool board with minimum nominal density of 140,0 kg/m³. The mineral wool board is painted with **INTU FR UNICOAT P**.

COMPLIANCE:

European Technical Assessment:
ETA 24/1047
 Declaration of Performance:
DoP 5/2024
 Certificate of Constasy of Performance:
1488-CPR-1149/W

APPLICATION:

Double **INTU FR UNIBOARD 1S** board and single **INTU FR UNIBOARD 2S** board in flexible or rigid wall and rigid floor supporting constructions are used for large penetration seals of cables and multiple penetration seals of pipes: plastic pipe with or without insulation and metal pipe with or without insulation.

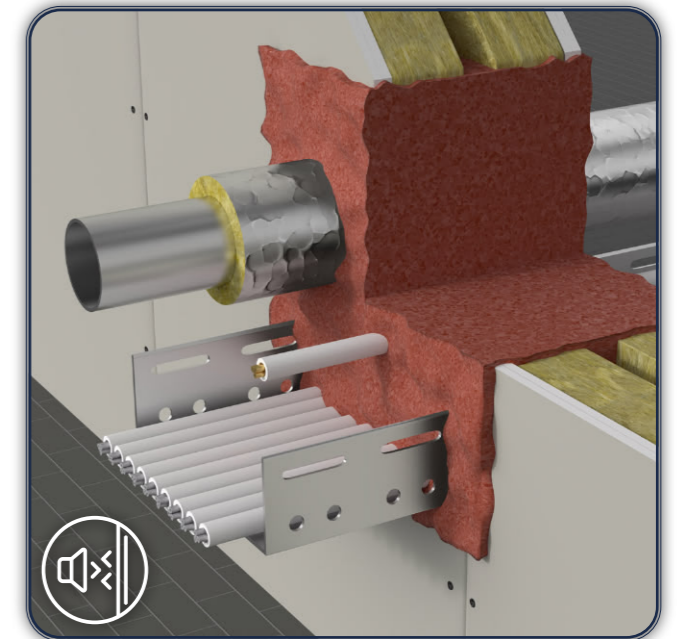
Flexible wall: The wall must have a minimum thickness 100 mm, must comprise timber or steel studs lined on both faces with minimum two layers (with overall board layer thickness on one side equal to or greater than 25 mm) of gypsum plasterboards.

Rigid wall: The wall must have a minimum thickness 100 mm, must comprise concrete or masonry separating elements, with a minimum density 450 kg/m³.

Rigid floor: The floor must have a minimum thickness 150 mm, must comprise aerated or reinforced concrete, concrete, with a minimum density 550 kg/m³.

AVAILABILITY:

Type	Delivery form	Pallet (pcs)
Plate 1200 x 600 x 50 mm (1S)	1 or 3 pcs per pack	38/76 or 39/78
Plate 1200 x 600 x 50 mm (2S)	1 or 3 pcs per pack	38/76 or 39/78
Plate 1200 x 600 x 60 mm (1S)	1 or 3 pcs per pack	32/64 or 33/68
Plate 1200 x 600 x 60 mm (2S)	1 or 3 pcs per pack	32/64 or 33/68



PRODUCT DESCRIPTION:

The **INTU FR FOAM 2K** intumescent fire-retardant foam based on polyurethane. After application, it reacts and increases its volume. During a fire, it swells, preventing the spread of fire, creating a barrier ensuring that the partition remains tight and insulating up to EI 120.

COMPLIANCE:

European Technical Assessment:
ETA-10/0431 & ETA-11/0206
 Declaration of Performance:
ZZ330-20220401
 Certificate of Constasy of Performance:
0761-CPR-0208

APPLICATION:

The **INTU FR FOAM 2K** intumescent fire protection foam is a polyurethane-based cartridge foam, designed for easy use as a mixed penetration seal. It provides fire resistance in flexible and rigid walls and floors with openings for various cables, conduits, pipes, and cable support structures (including perforated or non-perforated steel trays and ladders).

Flexible wall: The wall must be min. thickness 94 mm. Must have steel or timbers profile structure covered on both sides with minimum 2 layers of boards with minimum thickness 12,5

mm or minimum one layer of boards (minimum thickness 25 mm) with classification.

Rigid wall: The wall must be minimum 100 mm thickness, made of concrete, reinforced concrete, concrete blocks, cellular concrete, ceramic brick (solid, hollow or lattice) or silicate brick (solid or hollow) with a density of min. 450 kg/m³.

Rigid floor: The floor must be 150 mm minimum thickness. Must have concrete, aerated concrete, cellular concrete, reinforced concrete or masonry structure, with a minimum density 450 kg/m³.

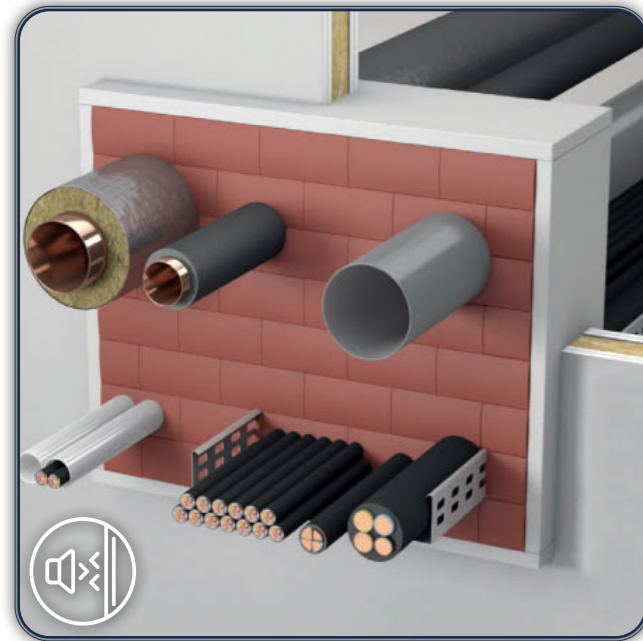
AVAILABILITY:

Type	Delivery form	Pallet (pcs)
380 ml cartridge	Box (6 pcs)	360 (60x Box)



INTU FR BRICK

Intumescent fire stop brick



PRODUCT DESCRIPTION:

Fire protection block **INTU FR BRICK** is made of intumescent polyurethane foam with halogen-free fire safety additives. Intumescent foam closes the hole during fire, preventing the spread of fire and smoke.

COMPLIANCE:

European Technical Assessment:
ETA-10/0431 & ETA-11/0206
 Declaration of Performance:
ZZ230-20180701
 Certificate of Constasy of Performance:
0761-CPR-0187

APPLICATION:

The INTU FR BRICK intumescent fire stop brick is designed as a mixed penetration seal to temporarily or permanently restore fire resistance in flexible and rigid walls and floors with openings for cables, conduits, pipes, and cable support structures (including perforated or non-perforated steel trays and ladders).

Flexible wall: The wall must be min. thickness 94 mm. Must have steel or timbers profile structure covered on both sides with minimum 2 layers of boards with minimum thickness 12,5 mm or minimum one layer of boards (minimum thickness 25 mm) with classification.

Rigid wall: The wall must be minimum 100 mm thickness, made of concrete, reinforced concrete, concrete blocks, cellular concrete, ceramic brick (solid, hollow or lattice) or silicate brick (solid or hollow) with a density of min. 450 kg/m³.

Rigid floor: The floor must be 150 mm minimum thickness. Must have concrete, aerated concrete, cellular concrete, reinforced concrete or masonry structure, with a minimum density 450 kg/m³.

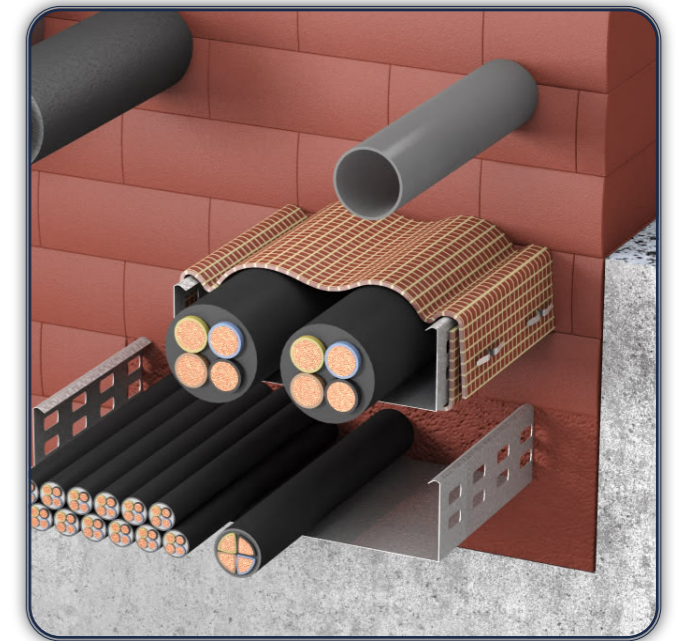
AVAILABILITY:

Type	Delivery form	Pallet (pcs)
Block 200 x 144 x 60 mm	Box (18 pcs)	450 (25x Box)



INTU FR BANDAGE

Fire protection bandage



PRODUCT DESCRIPTION:

Fire protection wrap **INTU FR BANDAGE** is a non-shrinking, solvent-free, self-adhesive, plastic butyl sealing tape. The **INTU FR BANDAGE** is intumescent during fire, preventing the spread of fire and smoke. It is used as a cable wrap for fire resistance class EI 120.

COMPLIANCE:

European Technical Assessment:
ETA-10/0431 & ETA-11/0206
 Declaration of Performance:
ZZ451-20220401
 Certificate of Constasy of Performance:
0761-CPR-0208

APPLICATION:

The INTU FR BANDAGE fire protection wrap is designed for easy use as a cable wrap and mixed penetration seal, providing fire resistance in flexible and rigid walls and floors with openings for cables, conduits, pipes, and cable support structures (including perforated or non-perforated steel trays and ladders).

Flexible wall: The wall must be minimum thickness 94 mm. Must have steel or timbers profile structure covered on both sides with minimum 2 layers of boards with minimum thickness 12,5 mm or minimum one layer of boards (minimum thickness 25 mm) with classification.

Rigid wall: The wall must be minimum 100 mm thickness, made of concrete, reinforced concrete, concrete blocks, cellular concrete, ceramic brick (solid, hollow or lattice) or silicate brick (solid or hollow) with a density of min. 450 kg/m³.

Rigid floor: The floor must be 150 mm minimum thickness. Must have concrete, aerated concrete, cellular concrete, reinforced concrete or masonry structure, with a minimum density 450 kg/m³.

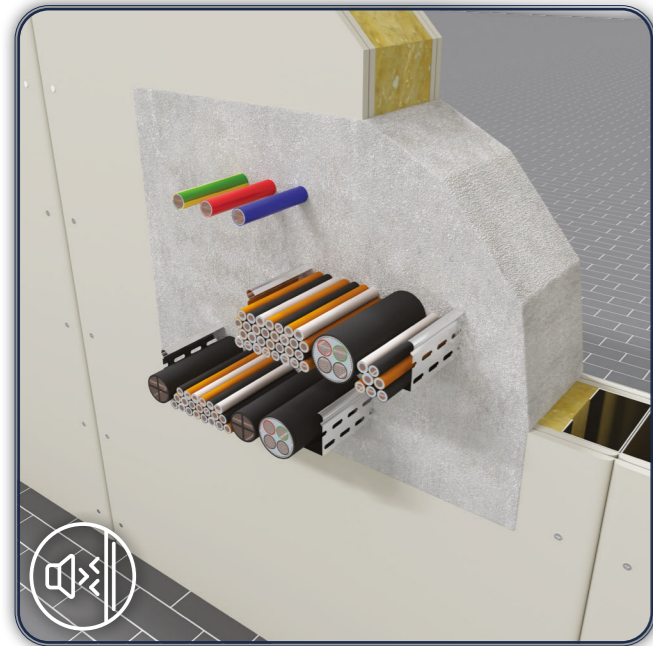
AVAILABILITY:

Type	Delivery form	Pallet (pcs)
Roll 150 mm x 5 m	1 pc	N/A



INTU FR MORTAR

Firestop mortar



PRODUCT DESCRIPTION:

The **INTU FR MORTAR** is a gypsum-based firestop mortar for reinstating fire resistance in rigid walls and floors penetrated by cables and metallic pipes. Supplied as a dry mix, it is combined with water before installation. Self-supporting in walls, it requires mineral wool board support in floors. The mortar fills gaps around penetrations, maintaining integrity and insulation up to EI240.

COMPLIANCE:

European Technical Assessment:
ETA 24/1229
 Declaration of Performance:
DoP 9/2024
 Certificate of Constancy of Performance:
2821-CPR-0338

APPLICATION:

The **INTU FR MORTAR** firestop mortar is used for fire protection of multiple installation services, including: insulated and non-insulated metallic pipes, plastic conduits, electrical cables, bundle of cables, cable trays, cable ladders, non-sheathed wires, telecommunication cables, bundles of copper pipes for air conditioning. It is suitable for use in both small and large service openings and can be easily mixed to either a stiff or pourable consistency.

Flexible wall: The wall must have a minimum thickness 100 mm, must comprise steel studs lined on both faces with minimum two layers

(with overall board layer thickness on one side equal to or greater than 25 mm) of gypsum plasterboards.

Rigid wall: The wall must have a minimum thickness 100 mm, must comprise all type concrete or masonry elements, with a minimum density 650 kg/m³.

Rigid floor: The floor must have a minimum thickness 150 mm, must comprise aerated or reinforced concrete, concrete, with a minimum density 550 kg/m³.

AVAILABILITY:

Type	Delivery form	Pallet (pcs)
20 kg sack	1 pc	50



PRODUCT DESCRIPTION:

The **INTU FR DISC** is a Ø65 x 3 mm self-adhesive fireproof intumescent disc that is applied to the partition and can be plastically shaped around installations in small openings up to Ø25 mm in diameter. **INTU FR DISC** swells when exposed to temperature and forms a fire-resistant seal for installations passing through the partition in fire resistance class up to EI120.

COMPLIANCE:

European Technical Assessment:
ETA 24/0158
 Declaration of Performance:
DoP 4/2024
 Certificate of Constancy of Performance:
1488-CPR-1110/W

APPLICATION:

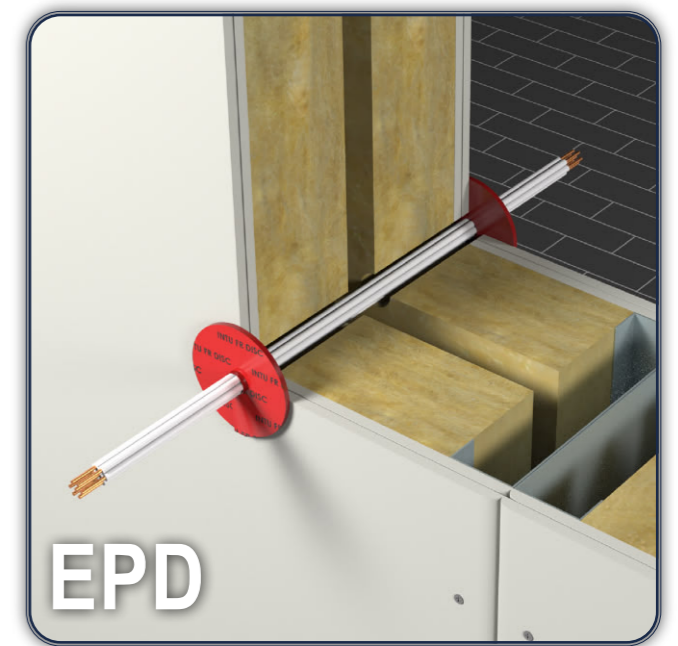
The Fire resistant system **INTU FR DISC** is designed for application in openings of diameter ≤ Ø25 mm and used to fire protection of:

- Single electric cables with diameter Ø ≤ 21 mm
- Fibre-optic cables and cable bundles with diameter Ø ≤ 25 mm
- Single steel pipes with diameter Ø ≤ 16 mm

Flexible wall: The wall must be minimum thickness 100 mm. Must have frame structure of steel or wooden sections covered on both sides with minimum 2 layers of panels with minimum thickness 12,5 mm.

INTU FR DISC

Firestop intumescent disc



Rigid wall: The wall must be minimum thickness 100 mm. Must be made of concrete, reinforced concrete, concrete blocks, cellular concrete, ceramic brick (solid, hollow or lattice) or silicate brick (solid or hollow) with a minimum density 450 kg/m³.

Rigid floor: The floor must be minimum thickness 150 mm. Must be made of concrete, reinforced concrete or cellular concrete with a minimum density 550 kg/m³.

AVAILABILITY:

Type	Delivery form	Pallet (pcs)
Disc 65 x 3 mm	Box (32 pcs)	12288



INTU FR PUTTY PAD

Fire rated flexible pads for socket boxes



PRODUCT DESCRIPTION:

The **INTU FR PUTTY PAD** is an easy-to-apply, non-setting fire and sound rated sealant supplied as a 4 mm pad. Hand-workable, reusable, and re-serviceable, it restores the fire rating of dry lining partitions around electrical sockets and switches for up to 2 hours, while preventing smoke, flames, and sound passage.

COMPLIANCE:

European Technical Assessment:
ETA 25/0668
 Declaration of Performance:
DoP 5/2025
 Certificate of Constancy of Performance:
2531-CPR-CXO10472

APPLICATION:

The **INTU FR PUTTY PAD** is shaped for use on both single and double electrical sockets installations in dry lining walls. The pads are supplied in a cross shape for internal installation in a socket and in a rectangular shape for application on the rear of the socket. Socket boxes can be placed back-to-back or side-by-side with zero distance, or further apart on both sides. They may also be placed on one side of the wall only, where the remaining side of the wall is not punctured at the same point.

Flexible wall: The wall must have a minimum thickness 100 mm, must comprise steel or timber studs lined on both faces with minimum two layers (with overall board layer thickness on one side equal to or greater than 25 mm) of boards.

Rigid wall: The wall must have a minimum thickness 100 mm, must comprise all type concrete or masonry elements, with a minimum density 650 kg/m³.

AVAILABILITY:

Type	Delivery form	Pallet (pcs)
170 x 170 mm	Box (20 pcs)	N/A
230 x 170 mm	Box (20 pcs)	N/A



INTU FR PUTTY CORD

Fire rated flexible cord



PRODUCT DESCRIPTION:

The **INTU FR PUTTY CORD** is designed to be easily fitted around service penetrations where the gap around the services is very small, or there is no gaps at all so a conventional fire rated sealant is impossible or difficult to fit due to the required depth and backing material. The putty cords are fitted covering the gap around the services and do not need to fill the gap to the required depth.

COMPLIANCE:

European Technical Assessment:
ETA 25/0668
 Declaration of Performance:
DoP 4/2025
 Certificate of Constancy of Performance:
2531-CPR-CXO10472

APPLICATION:

The **INTU FR PUTTY CORD** is a flexible cord used to reinstate the fire resistance performance of wall and floor constructions where they have been provided with apertures for the penetration of insulated or uninsulated metallic pipes, cables, and pipes. The **INTU FR PUTTY CORD** is easy and hand workable to apply fire and sound rated flexible cord.

Flexible wall: The wall must have a minimum thickness 100 mm, must comprise steel or timber studs lined on both faces with minimum two layers (with overall board layer thickness

on one side equal to or greater than 25 mm) of boards.

Rigid wall: The wall must have a minimum thickness 100 mm, must comprise all type concrete or masonry elements, with a minimum density 650 kg/m³.

Rigid floor: The floor must have a minimum thickness 150 mm, must comprise aerated or reinforced concrete, concrete, with a minimum density 550 kg/m³.

AVAILABILITY:

Type	Delivery form	Pallet (pcs)
200 mm x Ø 15 mm	Box (5 pcs)	N/A



INTU FR ROPE

Fire rated linear joint seals rope



PRODUCT DESCRIPTION:

The **INTU FR ROPE** fire rated linear joint seals rope is made of mineral wool. The non-flammable structure of the material creates a tight barrier, ensuring the partition tight and insulating up to EI 240.

COMPLIANCE:

European Technical Assessment:
ETA 25/0581
 Declaration of Performance:
DoP 6/2025
 Certificate of Constancy of Performance:
1404-CPR-3928-1-EN

APPLICATION:

The **INTU FR ROPE** is used for linear sealing: horizontal and vertical.

Rigid wall: The wall made of aerated concrete, concrete, blockwork, masonry separating elements with a minimum density: 550 kg/m³. The wall thickness must be minimum 200 mm.

Rigid floor: The floor made of aerated concrete, concrete, blockwork, masonry separating elements with a minimum density: 650 kg/m³. The floor thickness must be minimum 175 mm.

AVAILABILITY:

Type	Delivery form	Pallet (pcs)
12 mm	30 m	72
20 mm	30 m	72
30 mm	30 m	63
40 mm	30 m	30
50 mm	25 m	30
60 mm	25 m	24
70 mm	20 m	12
80 mm	20 m	12
90 mm	18 m	12
100 mm	10 m	12
120 mm	2 m	140
150 mm	2 m	112
170 mm	2 m	94
180 mm	2 m	80



ALFA FIREGUARD 3

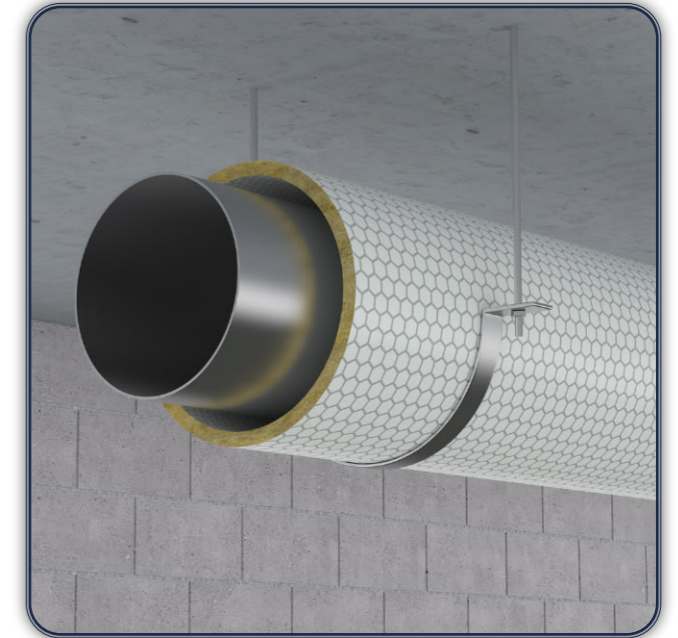
Fire protection mat for ventilation ducts

PRODUCT DESCRIPTION:

The **ALFA FIREGUARD 3** is a flexible 30 mm rock wool mat for fire protection of metal ventilation ducts (EN 1366-1). Quilted on metal mesh, its exposed side is covered with wire aluminum foil, and the internal side has glass wool fabric treated with an ablative product. Its reduced thickness allows easy installation on curved profiles without overloading support tie rods.

COMPLIANCE:

European Technical Assessment:
ETA 25/0029
 Declaration of Performance:
DoP 1/2025
 Certificate of Constancy of Performance:
1292/CPR/116247



APPLICATION:

Rectangular ventilation ducts:

Size maximum 1250 x 1000 mm

Round ventilation ducts:

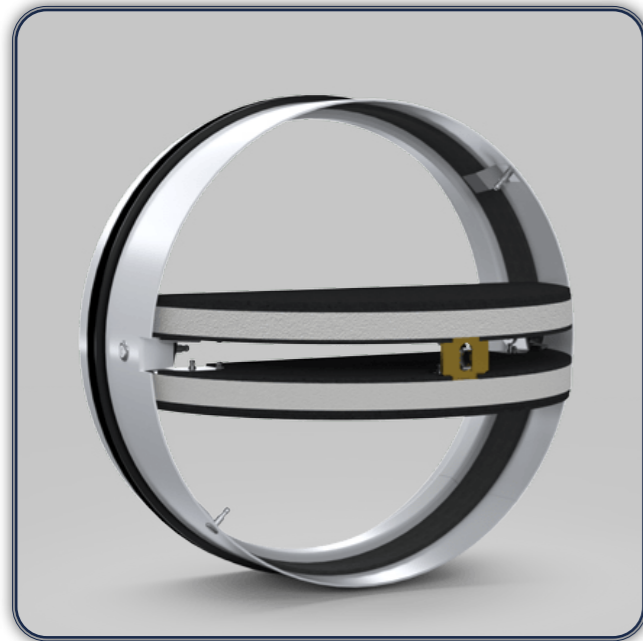
Size maximum Ø1000 mm

AVAILABILITY:

Type	Delivery form	Pallet (pcs)
Roll	6m ²	10 Rolls (60m ²)
Complementary products		
Adhesive matting tape	1 roll = 25 m	N/A
Mounting key	1 pc	N/A
Mounting wire	1 pc	N/A

INTU BUTTERFLY DAMPER KTB-O

Round fire damper cartridge



PRODUCT DESCRIPTION:

KTB-O-S dampers (spring mechanism) feature a circular steel housing, a two-part rotating isolating blade, and a thermal trigger drive. The housing is powder-coated in RAL 9010 and designed for slip-fit male connector installation for easy duct mounting.

COMPLIANCE:

Harmonized standard:
EN 15650:2010
 Declaration of Performance:
038-CPR-2024

APPLICATION:

The **INTU BUTTERFLY DAMPER KTB-O** is used in ventilation systems where ducts pass through fire-rated partitions. It normally remains open but closes during a fire to prevent the spread of fire, heat, and smoke by maintaining fire integrity (E), insulation (I), and smoke tightness (S).

Flexible wall: The wall must have a minimum thickness of 100 mm and a fire resistance rating of EI90 or greater. Flexible walls shall be multi-layer board constructions (thicker, denser partition systems).

Rigid wall: The wall must have a minimum thickness of 100 mm (EI60 / EI90) or 120 mm (EI120) and a required fire resistance class equal to or greater than the damper classification.

AVAILABILITY:

Type	Delivery form	Pallet (pcs)
100 mm	1 pc	N/A
125 mm	1 pc	N/A
150 mm	1 pc	N/A
160 mm	1 pc	N/A
200 mm	1 pc	N/A



PRODUCT DESCRIPTION:

Firestop ventilation grilles **INTU FR GRILLE** are made of a rigid steel frame with an intumescent insert. During a fire, the intumescent insert expands prevent the spread of fire and hot gases, ensuring the partition maintains fire resistance class up to EI 240.

COMPLIANCE:

Declaration of Performance:
DoP 2/2025

APPLICATION:

INTU FR GRILLE is install in the ventilation holes in walls and floors. The material is swelling during fire fills the hole completely.

Rigid wall: The wall must be minimum thickness 150 mm. Must have concrete, cellular concrete or masonry structure, with a minimum density 600 kg/m³.



INTU FR GRILLE

Intumescent FR grille

Rigid floor: The floor must be minimum thickness 150 mm. Must have concrete, cellular concrete or masonry structure, with a minimum density 1700 kg/m³.

AVAILABILITY:

Type	Delivery form	Pallet (pcs)
100 x 100 ÷ 600 x 600 Thickness 50 mm	1 pc	N/A



INTU FR GRILLE DS

Intumescent FR grille for doors



PRODUCT DESCRIPTION:

Firestop ventilation grilles **INTU FR GRILLE DS** are made from material that expands under the influence of high temperature. Intumescent inserts close the ventilation holes during a fire, preventing the spread of flame and smoke.

COMPLIANCE:

Declaration of Performance:
DoP 3/2025

APPLICATION:

INTU FR GRILLE DS grilles are installed in ventilation openings in doors.

AVAILABILITY:

Type	Delivery form	Pallet (pcs)
100 x 100 ÷ 600 x 600 Thickness 50 mm	1 pc	N/A



PRODUCT DESCRIPTION:

Louver masking grille **INTU AIR TRANSFER PLATE** is used for aesthetic protection of ventilation inlets/outlets. **INTU AIR TRANSFER PLATE** is manufactured using modern production techniques and precision stamping machines. The material is 0,9 mm thick steel. The louvres are placed every 8,5mm, with a 30% downward slant.

COMPLIANCE:

APPLICATION:

INTU ATP air transfer faceplates are used in walls and floors with **INTU FR GRILLE** and doors with **INTU FR GRILLE DS**.



AVAILABILITY:

Type	Delivery form	Pallet (pcs)
round grille C50, C80 - Ø100 ÷ Ø400	1 pc	N/A
rectangular grille R40A - 100 x 100 ÷ 600 x 600	1 pc	N/A
rectangular grille R80 - 100 x 100 ÷ 600 x 600	1 pc	N/A
Complementary products Connector - Model T/X	1 pc	N/A





PRODUCT DESCRIPTION:

The firestop intumescent seal **INTU STRIP F** and **INTU STRIP FC** (intumescent seal with a self-adhesive layer) is made of a graphite-based material. Under the influence of high temperature, the material swells, increasing its volume. The expanding product prevents the spread of fire through joints and gaps in fire doors.

COMPLIANCE:

Door fire test report:
LZP43-02580/16/ZOONZP
Swelling pressure report:
LZP48-2580/16/ZOONZP
Swelling height report:
LZP09-2580/16/ZOONZP
Thermal conductivity coefficient test report:
LZF00-03116/20/ZOONZF

APPLICATION:

The **INTU STRIP FC** seal is used to seal gaps in fire doors.

AVAILABILITY:

Type	Delivery form	Pallet (pcs)
Roll Thickness 2 mm / Width 10 ÷ 58 mm / Length 10 ÷ 200 mm	1 pc	N/A



**NEW TOOL TO SUPPORT
THE SELECTION OF
PASSIVE FIRE PROTECTION SOLUTIONS**





INTU FR WRAP L

*Intumescent pipe wrap
in roll*



INTU FR MASTIC

*Intumescent acrylic
mastic*



**INTU FR PUTTY
CORD**

Fire rated flexible cord



INTU FR PUTTY PAD

*Fire rated flexible pads
for socket boxes*



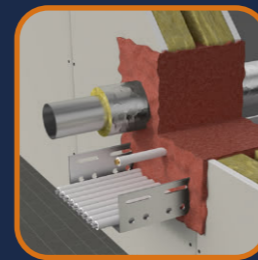
INTU FR WRAP

Intumescent pipe wrap



**INTU FR COAT A
INTU FR BOARD A**

*Fire rated ablative coat
Fire rated ablative board*



INTU FR FOAM 2K

Fire protection foam



**INTU FR BRICK
INTU FR BANDAGE**

*Intumescent fire stop brick
Fire protection bandage*



**INTU FR COLLAR
(ST)**

Intumescent pipe collar



INTU FR COAT I

*Fire rated intumescent
coat*



INTU FR MORTAR

Firestop mortar



INTU FR ROPE

*Fire rated linear joint
seals rope*



**INTU FR COLLAR L
SLIM**

*Intumescent pipe collar
roll*



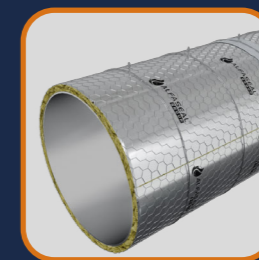
INTU FR GRAPHITE

*Intumescent graphite
sealant*



INTU FR GRILLE

Intumescent FR grille



ALFA FIREGUARD 3

*Fire protection mat for
ventilation ducts*



INTU FR DISC

*Firestop intumescent
disc*



**INTU FR UNICOAT P
INTU FR UNIBOARD**

*Fire rated coating
Fire rated board*



**INTU BUTTERFLY
DAMPER KTB-O**

*Round fire damper
cartridge*



ALFASEAL GROUP Sp. z o.o.

Kieskopowa 1

05-500 Piaseczno, Poland

✉ sales@intuseal.com

🌐 intuseal.com